



FORI AUTOMATION ELECTRIC LIFTS

13231 23 Mile Rd.
Shelby Twp., MI, 48315, USA
email: sales@foriauto.com
(586) 247-2336
www.foriauto.com

GLOBAL HEADQUARTERS

IN THIS ISSUE

Standard Lifts & Low Profile Lifts

Electro Mechanical Lifts



Patented Electric Lift Systems

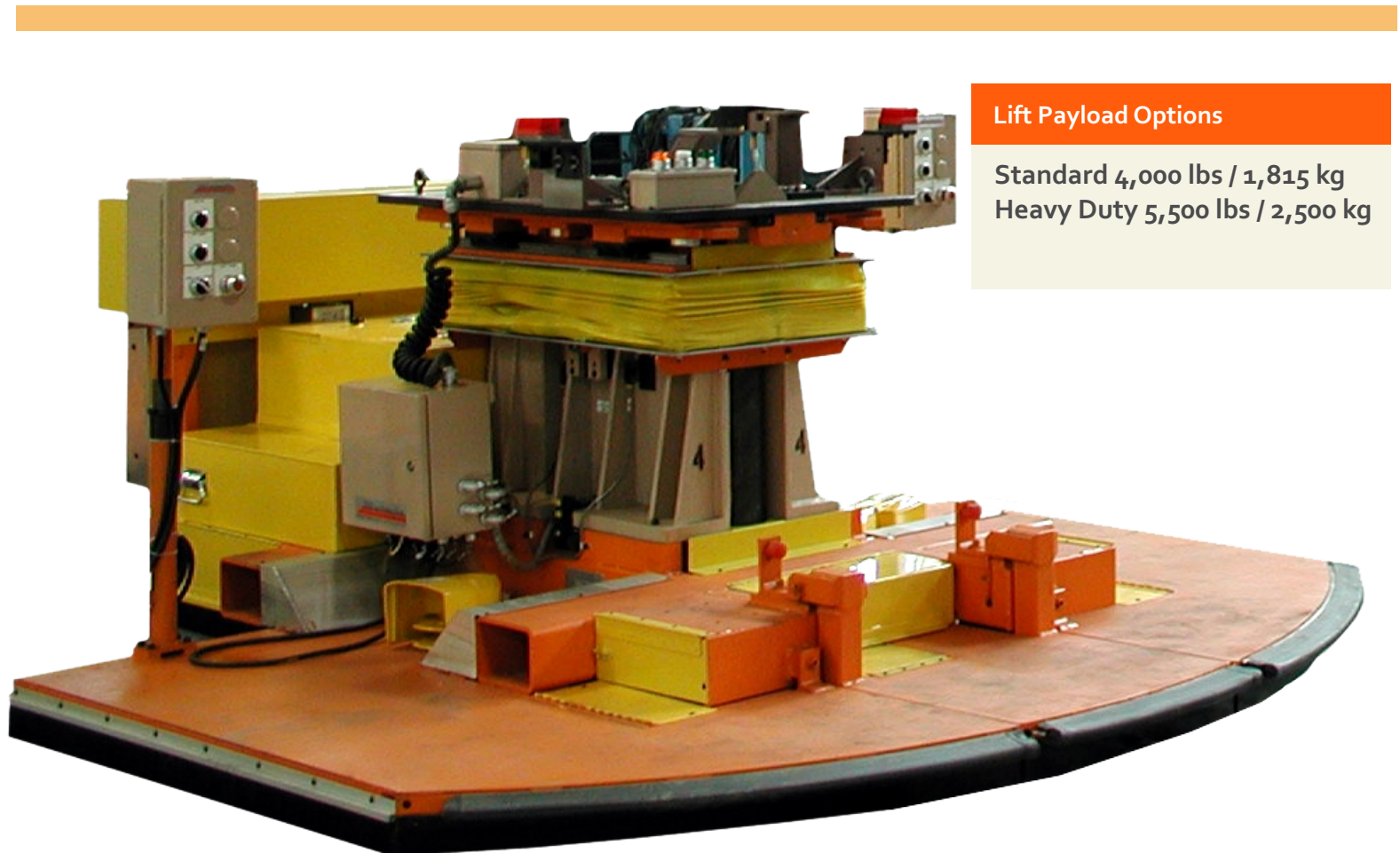
Fori Automation patented electric lift integrated in a Chassis Marriage System

Fori Standard Lift

- Lift stroke: 38 in / .97 m – 2 stage
- Lift speed: 4 in / 102 mm per second
- Lift capacity: 4,000 lbs / 1,815 kg with large offset load capacity
- Minimum - Collapsed Work Height: 34.5 in / 87.6 cm
- Electrical requirements: 480 V, 3 ph, 60 Hz. Servo driven lift motor with safety brake and encoder feedback
- Footprint (X-Y) 28" / 711.2mm x 19" / 482.6 mm

Fori Heavy Duty Lift

- Lift stroke: 38 in / .97 m – 2 stage
- Lift speed: 3.7 in / 94 mm per second
- Lift capacity: 5,500 lbs / 2,500 kg with large offset load capacity
- Minimum - Collapsed Work Height: 34.5 in / 87.6 cm
- Electrical requirements: 480 V, 3 ph, 60 Hz. Servo driven lift motor with safety brake and encoder feedback
- Footprint (X-Y) 28" / 711.2mm x 19" / 482.6 mm



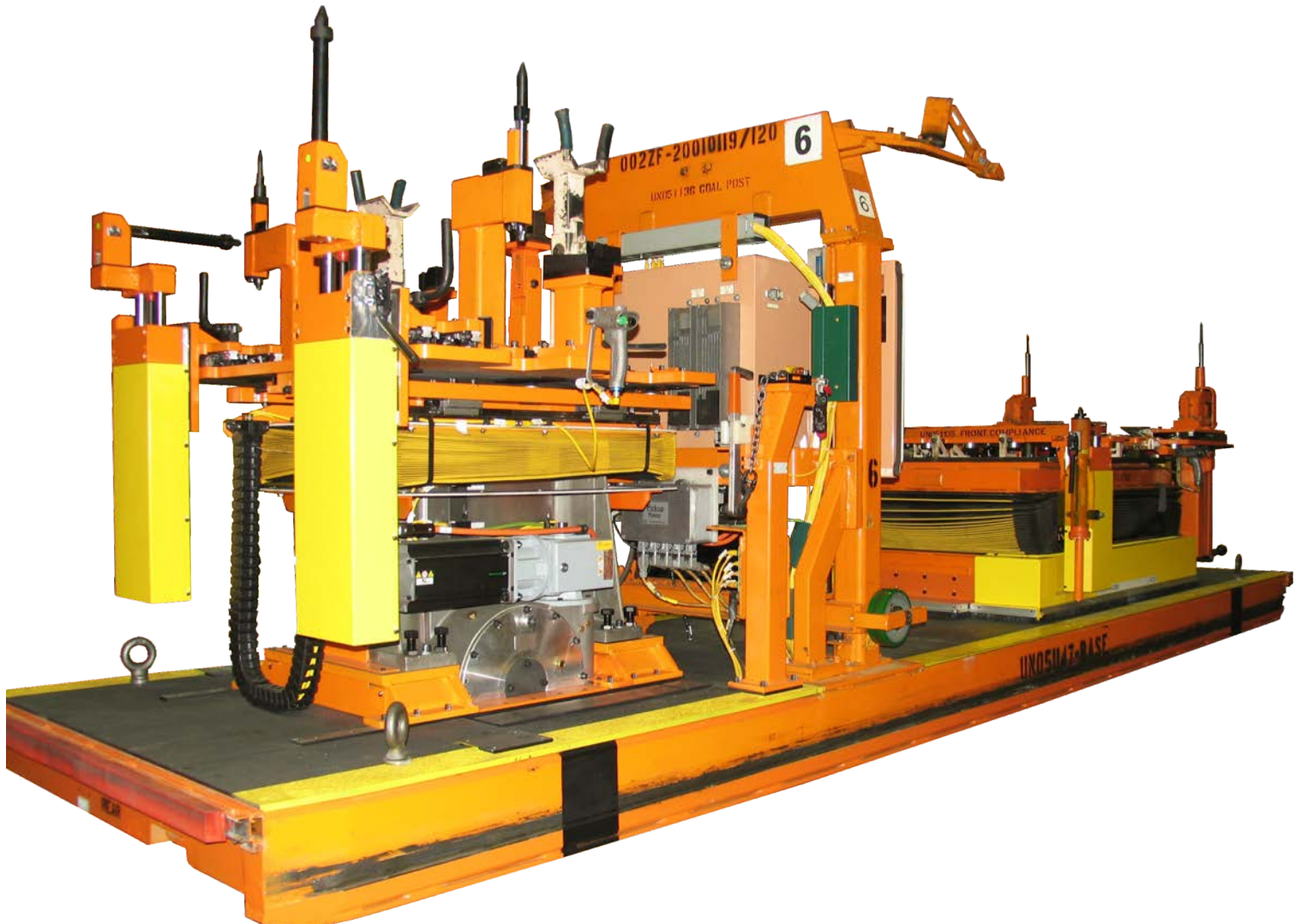
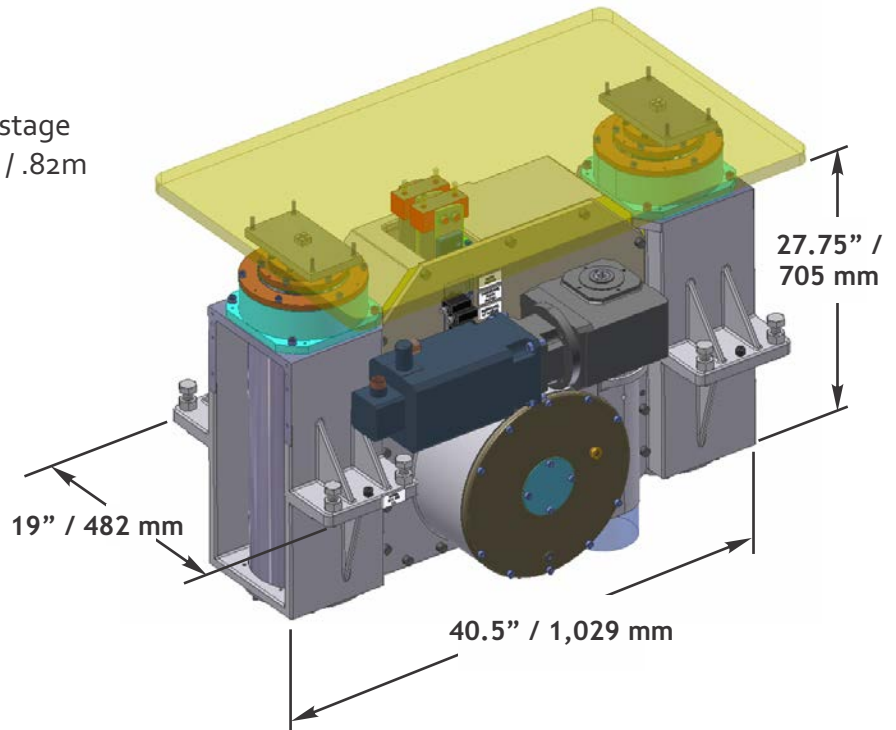
Lift Payload Options

Standard 4,000 lbs / 1,815 kg
Heavy Duty 5,500 lbs / 2,500 kg

The simple construction begins with a single piece aluminum cast housing and internal components including Guide Tubes (2), Worm Gear Drive, Self-Locking Lift Chain and Servo Motor. Redundant Safeties include internal servo brake and anti-backup driving worm gear for any power interrupt and/or mechanical failure.

Low Profile Lifts

- Configurable Lift stroke: 56 in / 1.4m – 3 stage
Lift Stroke Max: 50 in / 1.27 m ; Min: 32 in / .82m
- Lift speed: 4 in / 10.2 cm per second
- Lift capacity: 4,000 lbs / 1,815 kg
with large offset load capacity
- Minimum - Collapsed Work Height:
33 in / 83.82 cm @ 56 in / 1.4 m stroke
25 in / 63.5 cm @ 32 in / .82 m Stroke
- Electrical requirements: 480 V,
3 ph, 60 Hz. Servo driven lift motor
with safety brake and encoder feedback
- Footprint (X-Y) 40.5" / 1,029mm x 19" / 482mm

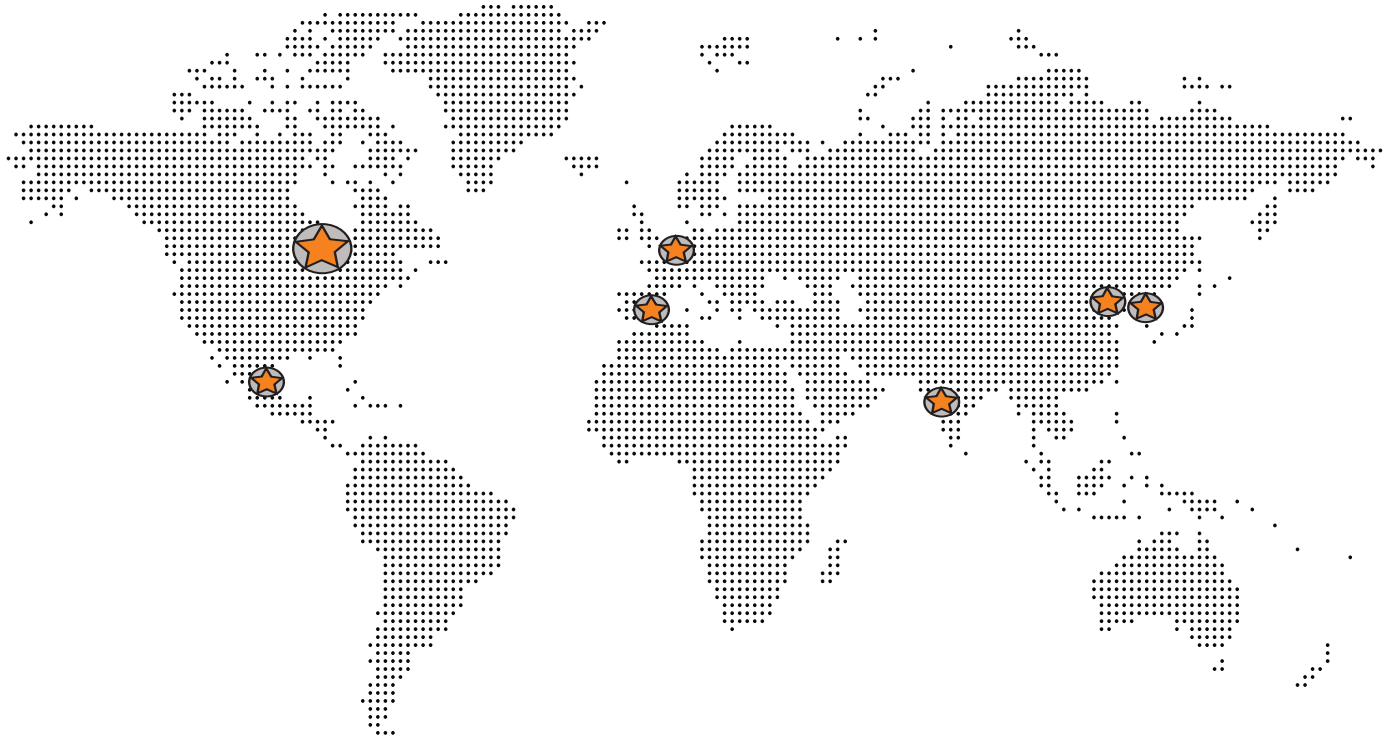


Fori's Low Profile (LP) Standard Lift is of a proven robust design to accommodate the severe off-center loads required of daily Chassis Decking Operations in Vehicle Assembly Plants.

FORI CHINA

FORI GERMANY

FORI INDIA



FORI KOREA

FORI MÉXICO

FORI SPAIN

FORI USA

**Fori Automation, LLC
A Lincoln Electric Company**

Global Headquarters

13231 23 Mile Rd.
Shelby Township, MI, 48315, USA
Phone: 586-247-2336
Fax: 586-247-3126
email: sales@foriauto.com

Fori Automation China

Beijing, China
Phone: 86-10-6782936

Fori Automation GmbH

Merzig, Germany
Phone: 49-0-681-94008950

Fori Automation India

Pune, India
Phone: 91-20-63110400

Fori Korea Ltd.

Siheung-Si, Korea
Phone: 82-31-496-3400

Fori Automation de México

Saltillo, Coahuila, Mexico
Phone: 52-844-689-06-00

Fori Automation Spain

Valencia, Spain
Phone: 34-663-664-539



**U.S. Owned
and Operated Since 1984
www.foriauto.com**

